

**Linear LED Modul**  
B599-TLLS 27 2505

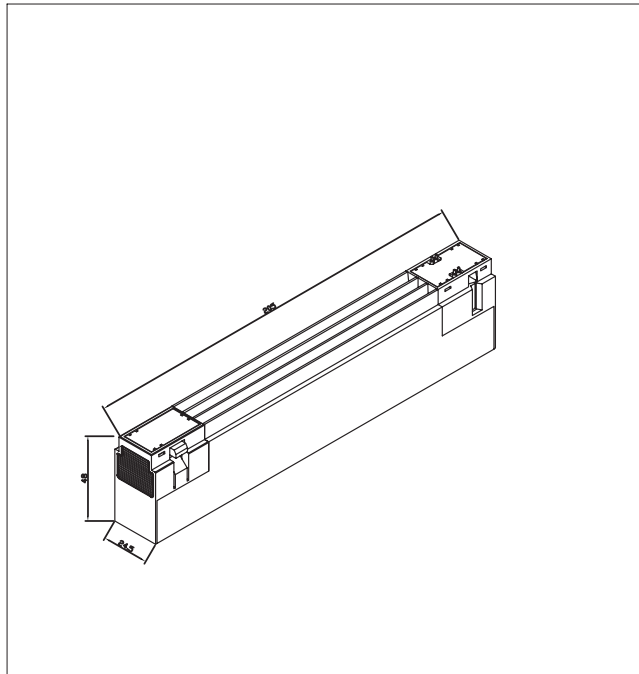


FIG-1

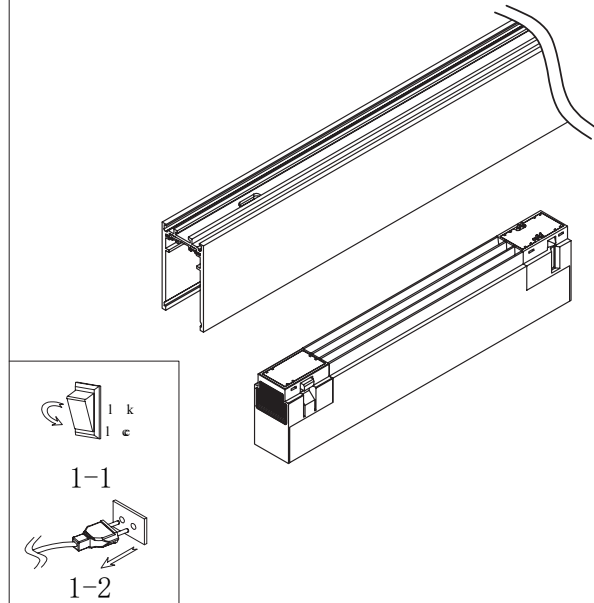


FIG-2

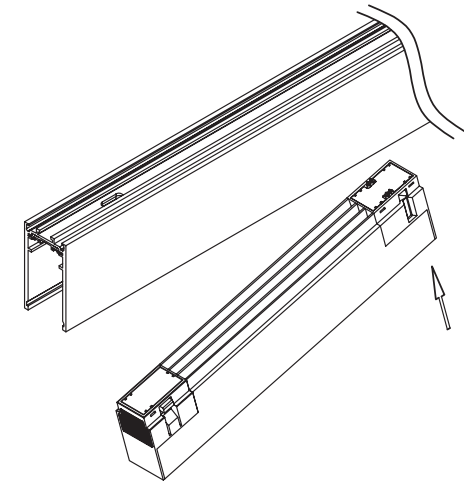


FIG-3

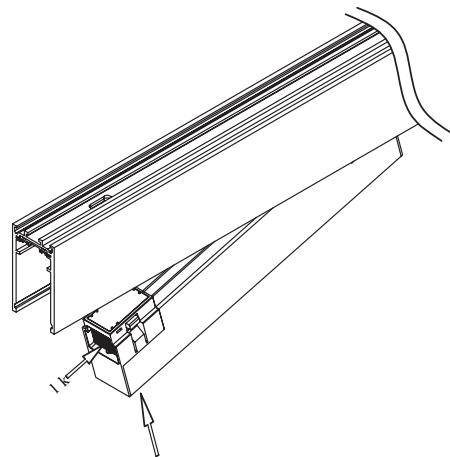


FIG-4

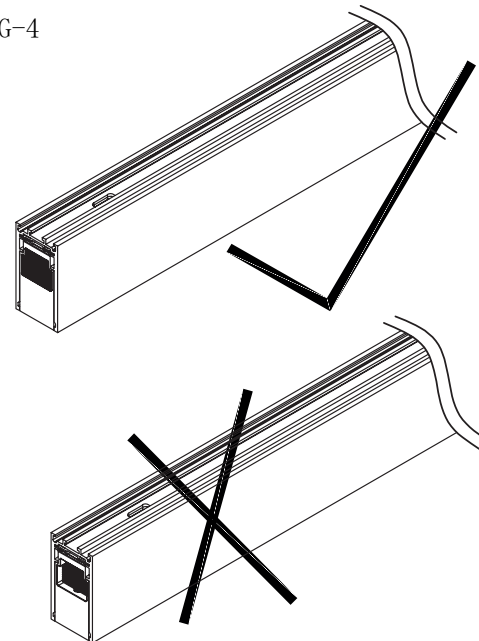


FIG-5

